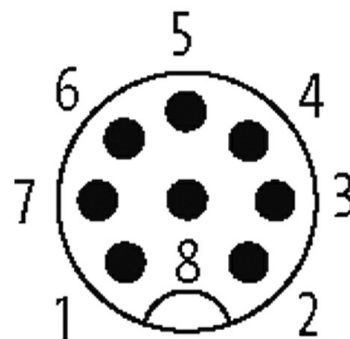


**M12 MALE 90° SHIELDED WIREABLE SCREW TERM.**8-pol. max.0.5mm<sup>2</sup> 6-8mm

Male 90°  
 M12, 8-pole  
 shielded  
 Sealing range (cable Ø): 6...8 mm

**Illustration**

Male



Product may differ from Image

**Approvals****Form**

Form 17351

**Technical Data**

Operating voltage	max. 30 V AC/DC
Operating current per contact	max. 2 A
Connection cross section	max. 0.5 mm <sup>2</sup>
Sealing range (cable Ø)	6...8 mm
Protection	IP67 inserted and tightened (EN 60529)

Housing Brass, nickel plated

#### General data

Temperature range -40...+85 °C

#### Commercial data

country of origin DE

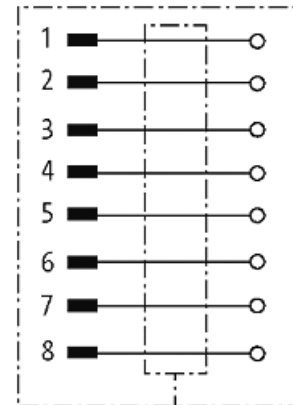
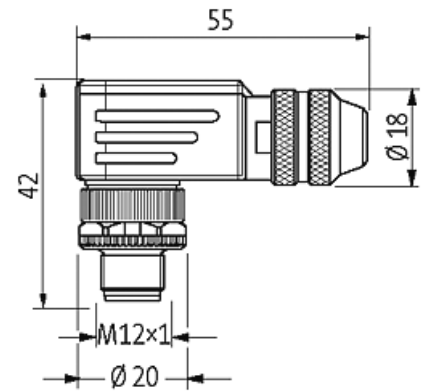
customs tariff number 85366990

EAN 4048879195300

eClass 27279221

Packaging unit 1

#### Sketch



Product may differ from Image